

Direct Draw Keg Refrigerators

Owner's Manual

EBD1, EBD2, EBD3, EBD4

EBDS2-24, EBD2-24, EBD3-24, EBD4-24

EBD2-BB, EBD2-BBG, EBD3-BB, EBD3-BBG

EBDS2-BB-24, EBD2-BB-24, EBD3-BB-24

EBDS2-BBG-24, EBD2-BBG-24, EBD3-BBG-24

EBD2-CT, EBD3-CT, EBD4-CT



EVEREST REFRIGERATION

THIS PAGE INTENTIONALLY LEFT BLANK

Direct Draw Keg Refrigerators

EBD1, EBD2, EBD3, EBD4

EBDS2-24, EBD2-24, EBD3-24, EBD4-24

EBD2-BB, EBD2-BBG, EBD3-BB, EBD3-BBG

EBDS2-BB-24, EBD2-BB-24, EBD3-BB-24

EBDS2-BBG-24, EBD2-BBG-24, EBD3-BBG-24

EBD2-CT, EBD3-CT, EBD4-CT



Contents

Hydrocarbon Guidelines	1, 2
Installation Instructions	3, 4
Product Load Level & Shelf Placement	5, 6
Draft Assembly	7, 11
Safe Drilling Areas	12, 15
Keg Installation	16, 17
General Safety	18
Electrical Safety	19
Operation	20–24
Care and Maintenance	25–26
Troubleshooting Guide	27–28
Warranty Registration	29–30



Hydrocarbon Guidelines

This section applies to R290 Hydrocarbon units only. To identify the refrigerant type, see the data plate in the cabinet interior.

WARNING - THIS UNIT USES R290, A HYDROCARBON, PROPANE REFRIGERANT THAT IS ENVIRONMENTALLY FRIENDLY BUT IS ALSO HIGHLY FLAMMABLE AND EXPLOSIVE. PLEASE READ THIS MANUAL CAREFULLY AND FOLLOW ALL SAFETY PRECAUTIONS CONTAINED HEREIN TO AVOID THE RISK OF FIRE OR EXPLOSION. FAILURE TO FOLLOW THE SAFETY PRECAUTIONS MAY RESULT IN SERIOUS INJURY, OR DEATH, AND/OR PROPERTY DAMAGE.

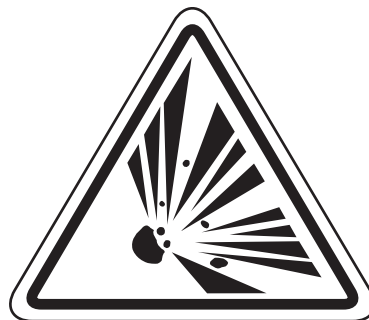
DANGER - Risk of fire or explosion. Flammable refrigerant used. Do not use mechanical devices or other means to accelerate the defrosting process. Do not puncture refrigerant tubing.

DANGER - Risk of fire or explosion. Flammable refrigerant used. To be repaired only by trained service personnel. Do not puncture refrigerant tubing.

CAUTION - Risk of fire or explosion. Flammable refrigerant used. Consult Service Manual or Owner's Manual before attempting to install or service this product. All safety precautions must be followed.

CAUTION - Risk of fire or explosion. Flammable refrigerant used. Dispose of properly in accordance with federal or local regulations.

CAUTION - Risk of fire or explosion due to puncture of refrigerant tubing; follow handling instructions carefully. Flammable refrigerant used.



PROPANE (R290) IS HIGHLY APPROVED FOR USE AS A REFRIGERANT IN COMMERCIAL, SELF-CONTAINED UNITS IN THE US UNDER LIMITED USE CONDITIONS. IT CAN ONLY BE USED IN NEW EQUIPMENT. BACKFITTING OR MODIFICATIONS OF OLD EQUIPMENT ARE NOT ALLOWED. IT MUST BE CHARGED IN A STRICTLY LIMITED VOLUME OF UP TO 150 GRAMS (5.3 OZ) PER REFRIGERATION CIRCUIT. EVEN THOUGH THIS IS A SMALL AMOUNT, IT STILL PRESENTS A FIRE OR EXPLOSION HAZARD IF IT LEAKS OUT OF PARTS THAT HOLD REFRIGERANT. WHEN IT COMES IN CONTACT WITH AIR, A FLAMMABLE PROPANE-AIR MIXTURE CAN BE CREATED AND EASILY IGNITED BY ELECTRICAL SPARKS, OPEN FLAMES OR HOT SURFACES. THE RISK IS HIGHER IN SMALL, CONFINED, POORLY VENTILATED SPACES. PROPANE WILL SETTLE AT LOWER ZONES BECAUSE IT IS HEAVIER THAN AIR. TO REDUCE THESE RISKS, OBSERVE THE FOLLOWING PRECAUTIONS

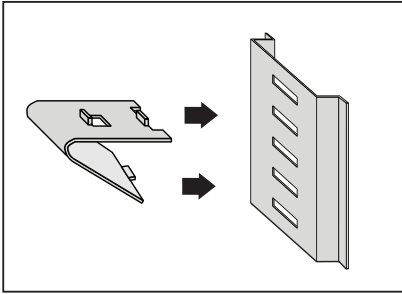
- Avoid installation of unit in areas with open flames or in general vicinity of open flames or high surface temperatures.
- Avoid unit installation in small, confined spaces. Ensure ample ventilation at all times. Keep all exhaust vents free of any blockage or obstruction.
- Do not rely on smell to detect potential leaks of propane refrigerant. Propane refrigerant is a high purity propane gas and does not contain odorants or stenching agents. These additives are typically used in fuel-grade propane and natural gas in order to give them a distinctive smell which makes it easier to detect leaks.
- General service and repairs must be performed in well-ventilated areas.
- General service and repairs must be performed only by professionals authorized by Everest Refrigeration.
- Component shall be replaced with Everest-issued, like components to minimize the risk of possible ignition resulting from incompatible parts or improper repairs.
- Do not modify, re-appropriate, or remove any functional part(s) from the unit.
- Handle the unit with care to avoid any damage.
- Practice safety guidelines when transporting the unit. Consult with your local Department of Transportation for requirements in moving flammable gasses.

Installation Instructions

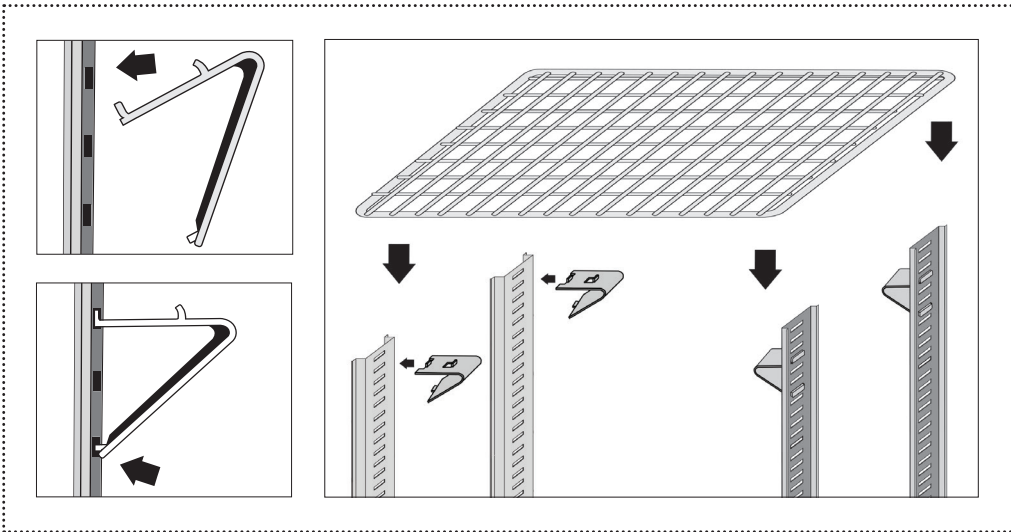
This section applies to all Everest products. Correct installation ensures proper performance and longevity of your appliance. Professional installation by a trained refrigeration technician and electrician is recommended. Warranty is void if the following guidelines are not met.

1. Inspect for any freight damage upon delivery of the unit. If damage is detected, immediately report it to an Everest representative. Everest is not responsible for damage that occurs during shipment.
2. Keep the unit upright at all times. The compressor contains oil, refrigerant, lubricants, and various chemicals. When tilted, these fluids may shift and travel to sections where they don't naturally occur. This will lead to system contamination and compressor failure.
3. Select a location with good air ventilation. Poor ventilation rapidly increases ambient temperature. High ambient temperatures exceeding 86°F (30°C) promote excessive compressor activity in order to maintain the desired cabinet temperature. This will result in decreased performance, advanced component failure, and the risk of fire.
4. Select a location away from heat-generating equipment such as stoves, ovens, etc. Heat sources rapidly increase the temperature of the immediate vicinity. High temperatures exceeding 86°F (30°C) promote excessive compressor activity in order to maintain the desired cabinet temperature. This will result in decreased performance, advanced component failure, and the risk of fire.
5. A distance of 6" is required for left side or right side clearance wherever a unit's condenser coil is located. This ensures proper ventilation and prevents overheating which can lead to advanced component failure or the risk of fire.
6. Select a location with a hard, leveled surface. Use a leveling tool on the unit to ensure proper alignment. Proper door function and condensate removal is dependent on accurate balance.
7. Select a location close to an electrical wall outlet to ensure direct connection without the use of extension cords.
8. Select a location away from severe moisture conditions. This may compromise the unit's electrical components and lead to electrical shocks or the risk of fire.
9. Select a location that will not expose the unit to extremely dusty conditions. Environments with high dust and debris content will significantly hasten condenser coil and condenser coil air filter blockage and will result in decreased performance, advanced component failure, and the risk of fire.
10. Do not build an enclosure or cabinet around the unit. This will restrict air ventilation resulting in elevated compressor activity, decreased performance, advanced component failure, and the risk of fire.
11. The unit is not intended for use in food trucks. Limited space, lack of ventilation, and ambient temperatures exceeding 86°F (30°C) typical to this setting will result in elevated compressor activity, decreased performance, advanced component failure, and the risk of fire.
12. The unit is intended for indoor use only. Outdoor use will cause a decrease in performance, advanced component failure, and the risk of fire.
13. The unit comes with an interior drain hole plug. Keep this plugged in during normal operation and unplug when cleaning the interior to allow water to drain.
14. Install drain hoses to the back of the unit when cleaning the interior.

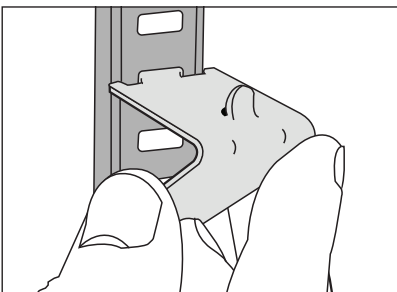
Shelf Installation



1. Some models come standard with shelves, shelf clips and notched pilasters. Each shelf requires four clips. Attach the shelf clips onto the pilasters by inserting its top hook into a pilaster notch followed by the bottom hook. Do not use pliers or other crimping tools to modify the shape of the shelf clips. This will result in shelf mounting instability.



2. Place shelves on the shelf clips making sure all corners are mounted securely and evenly with identical distance from the unit's floor and up. Always lay the back of each shelf down on the rear clips before the front.

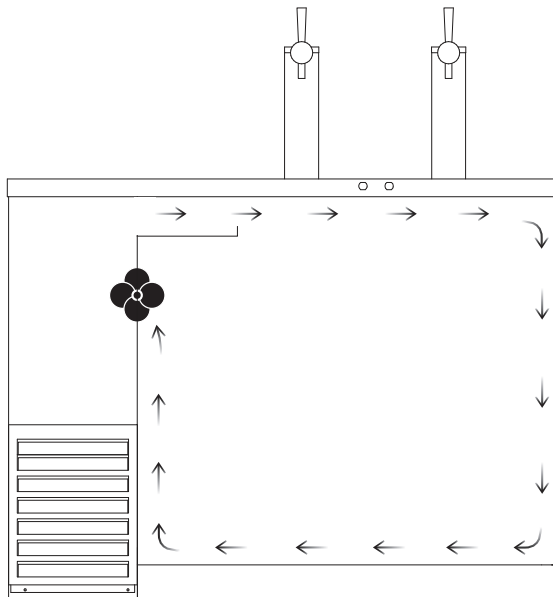


3. When removing a shelf, unmount the shelf from the shelf clips. To detach the shelf clip from the pilaster, tilt up the shelf clip until the bottom hook clears, followed by the top hook.

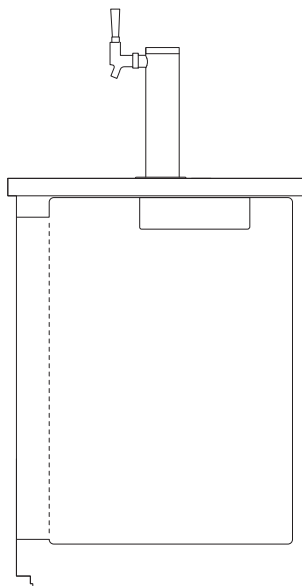
Product Load Level & Shelf Placement

Models : EBD1, EBD2, EBD3, EBD4, EBDS2-24, EBD2-24, EBD3-24, EBD4-24
EBD2-BB, EBD3-BB, EBDS2-BB-24, EBD2-BB-24, EBD3-BB-24, EBD2-CT
EBD3-CT, EBD4-CT

Front View

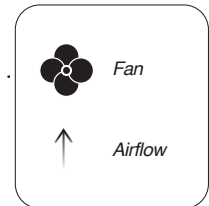


Side View



← Front

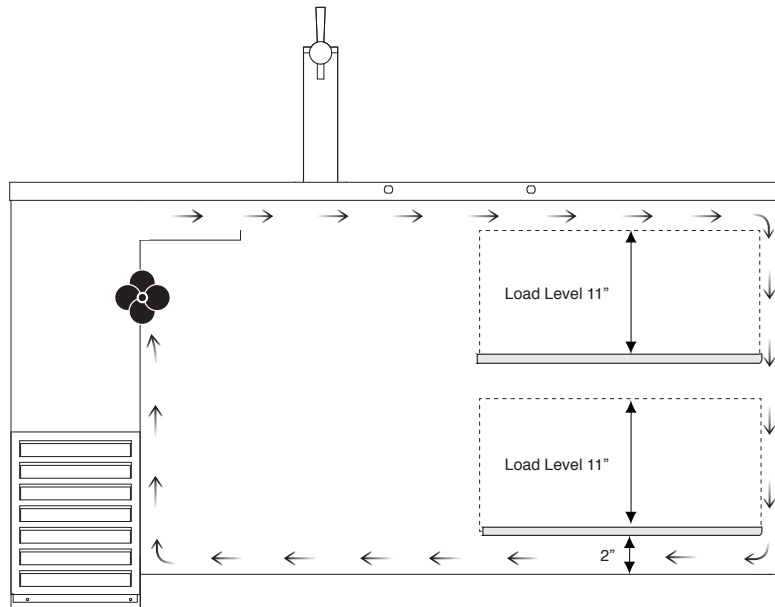
→ Rear



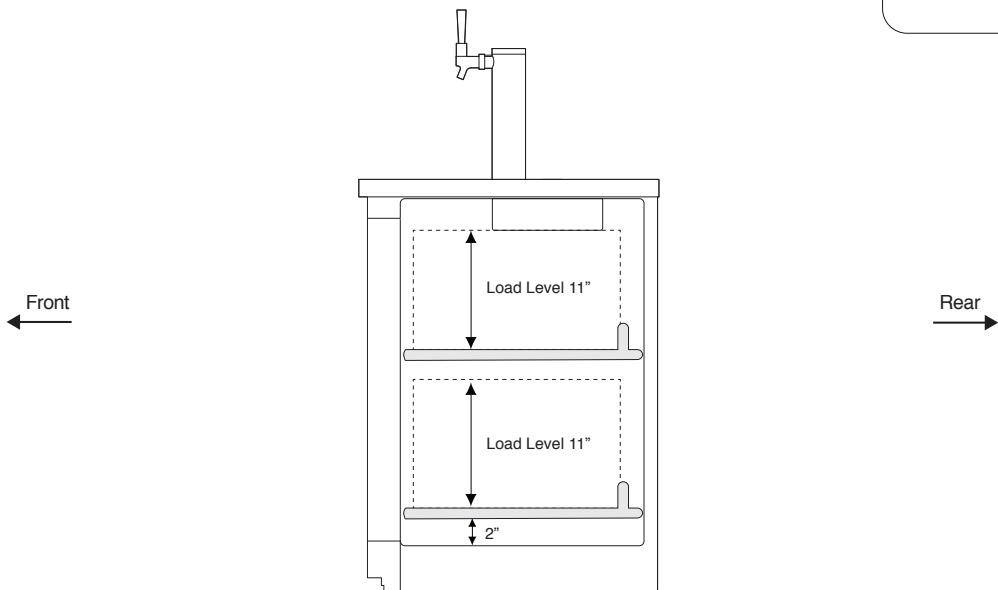
Product Load Level & Shelf Placement

Models : EBD2-BBG, EBD3-BBG, EBD32-BBG-24, EBD2-BBG-24, EBD3-BBG-24

Front View

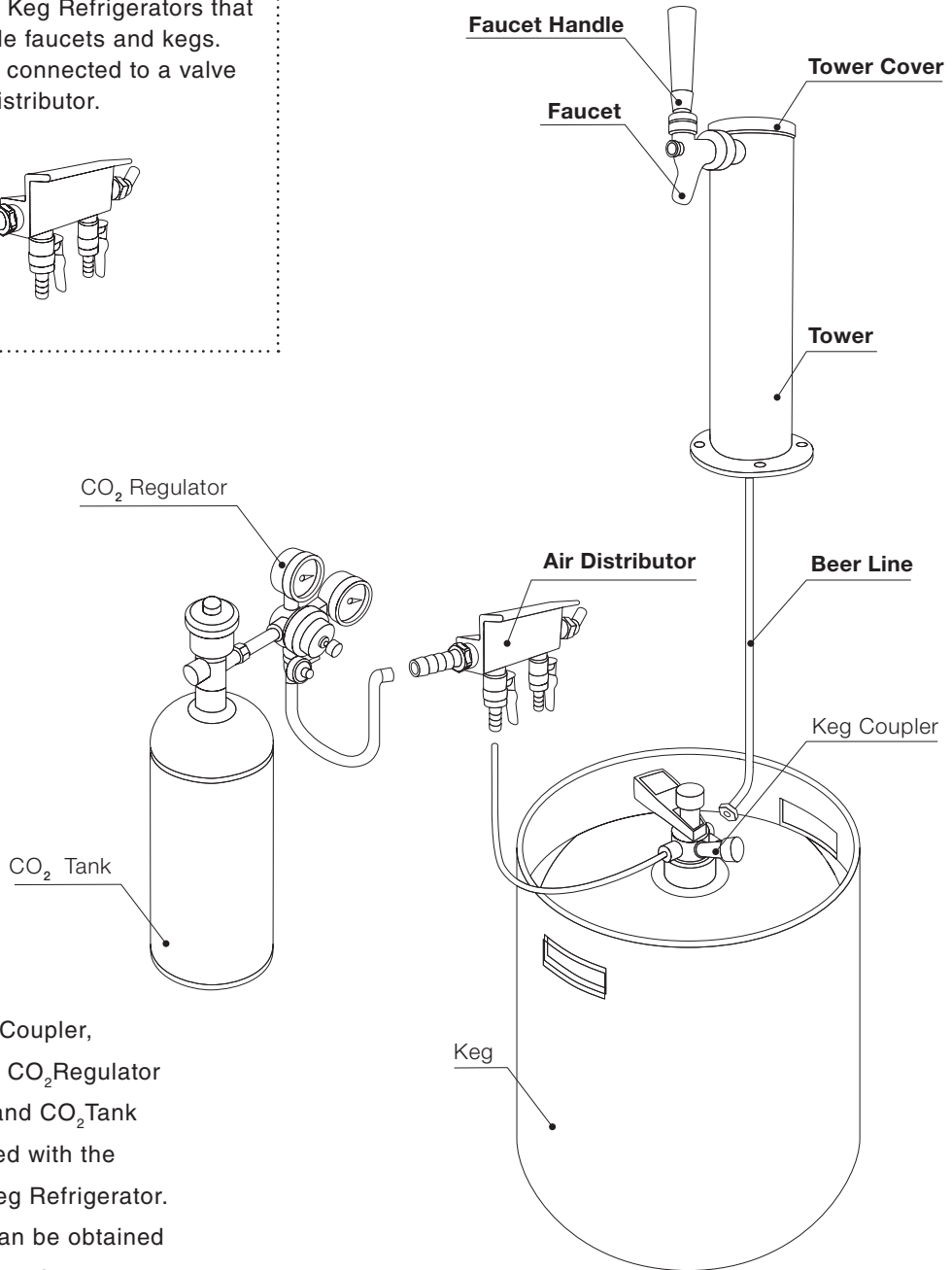
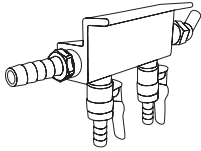


Side View



Draft Assembly - Single Faucet

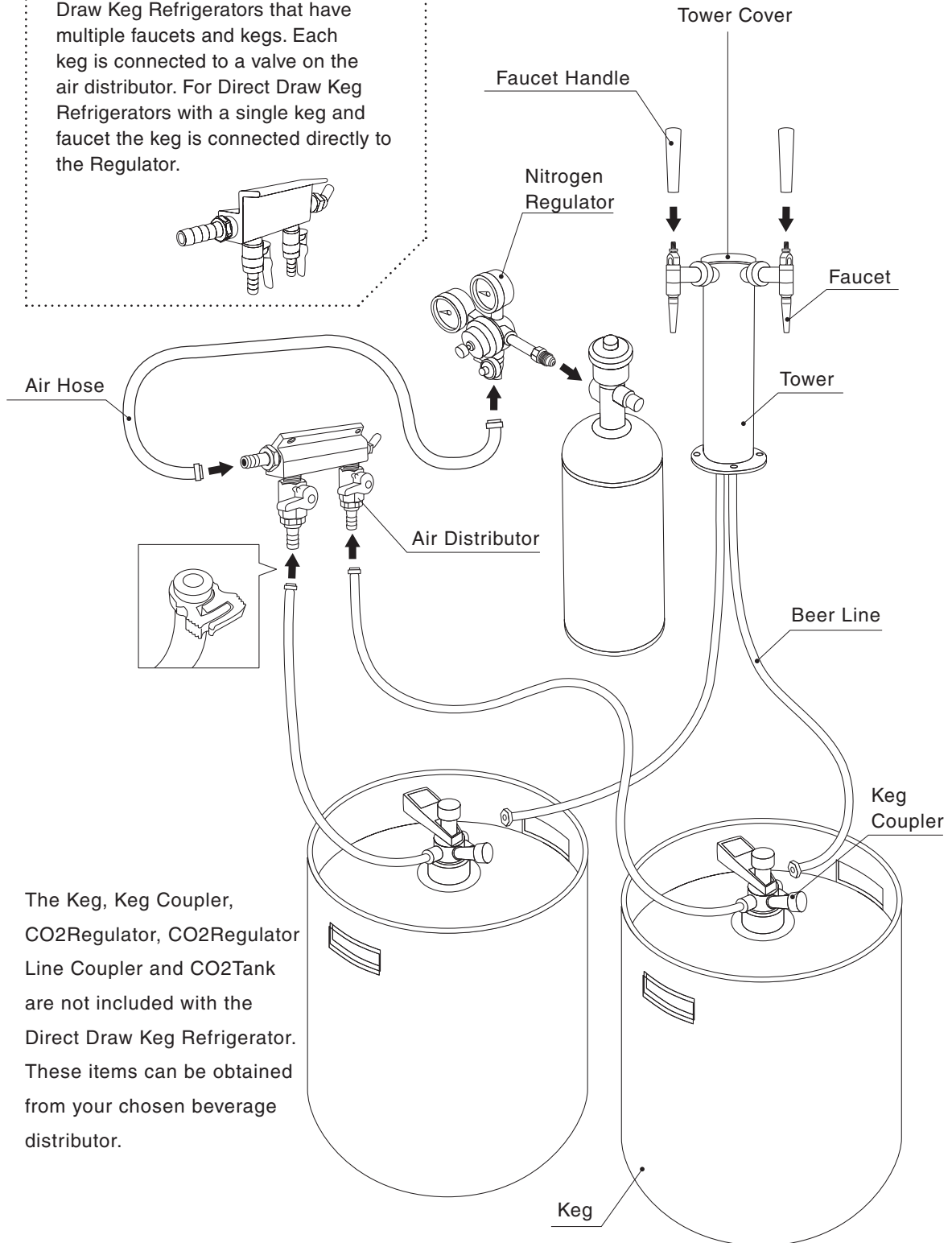
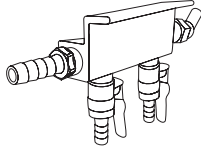
Air Distributors are included in Direct Draw Keg Refrigerators that have multiple faucets and kegs. Each keg is connected to a valve on the air distributor.



The Keg, Keg Coupler, CO₂Regulator, CO₂Regulator Line Coupler and CO₂Tank are not included with the Direct Draw Keg Refrigerator. These items can be obtained from your chosen beverage distributor.

Draft Assembly - Dual Faucet

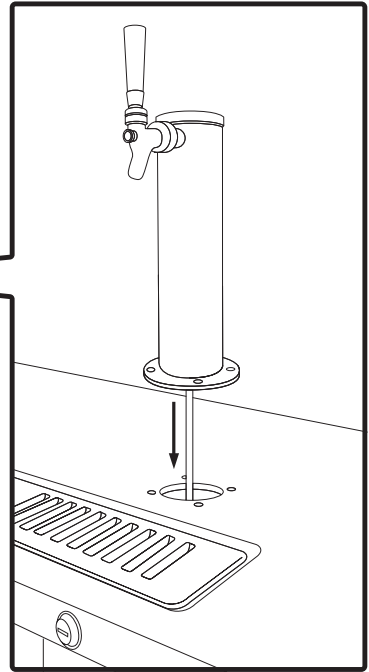
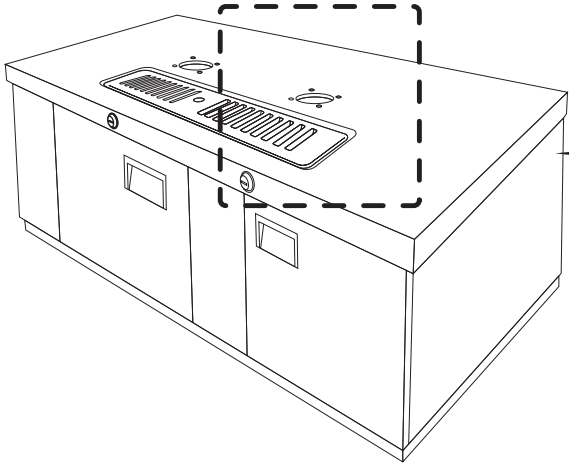
Air Distributors are included in Direct Draw Keg Refrigerators that have multiple faucets and kegs. Each keg is connected to a valve on the air distributor. For Direct Draw Keg Refrigerators with a single keg and faucet the keg is connected directly to the Regulator.



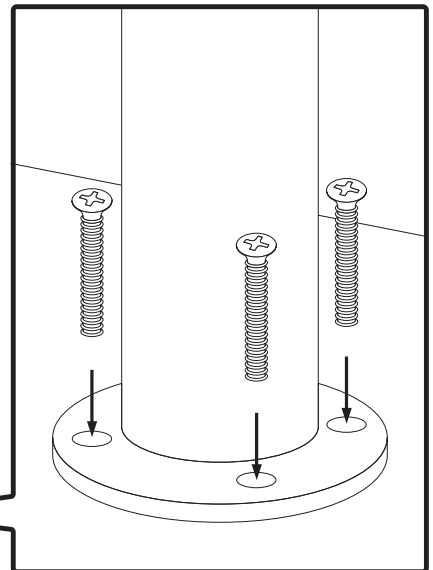
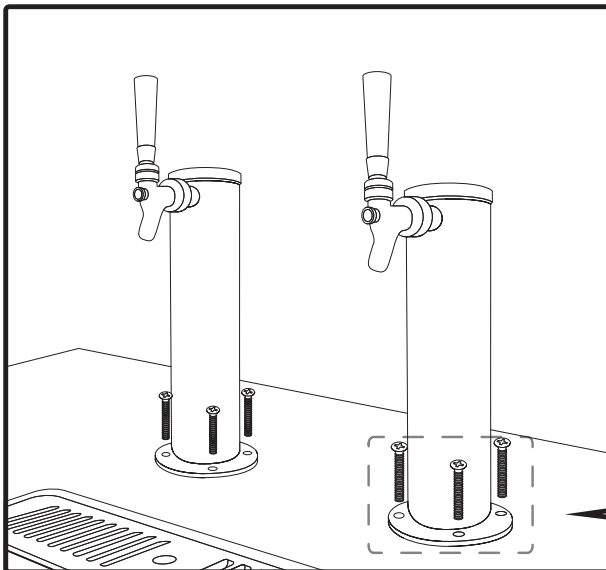
The Keg, Keg Coupler, CO2Regulator, CO2Regulator Line Coupler and CO2Tank are not included with the Direct Draw Keg Refrigerator. These items can be obtained from your chosen beverage distributor.

Draft Assembly Instructions (Continued)

1. Position the base of the draft tower so that the tower shaft and screw holes align perfectly with the corresponding openings on the worktop. Feed the beer line through the main opening.

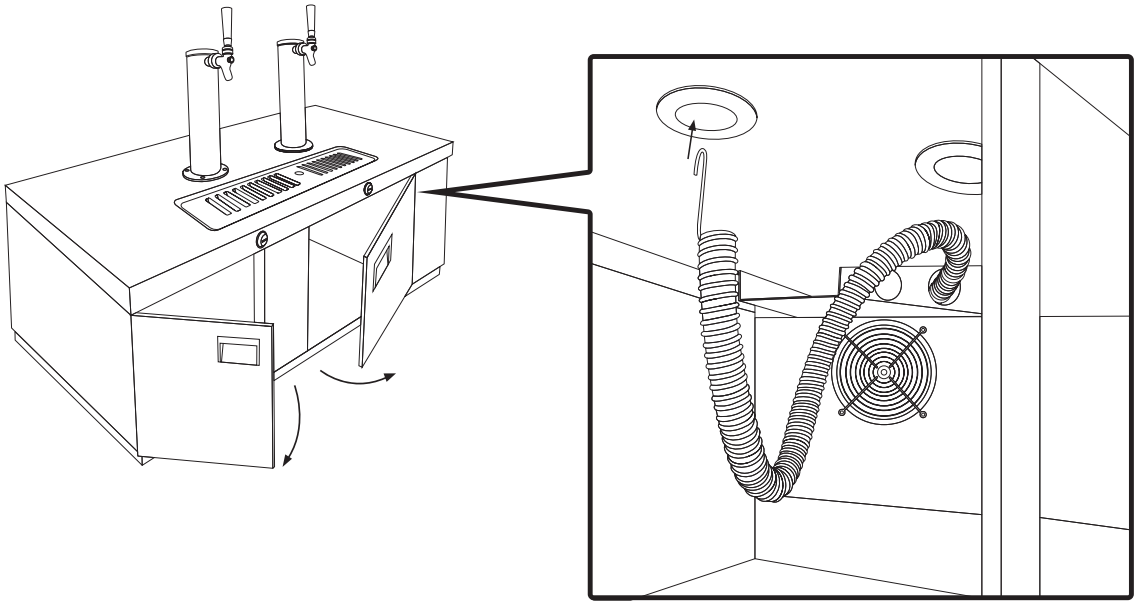


2. Secure the base of draft tower to the work top using the provided screws.

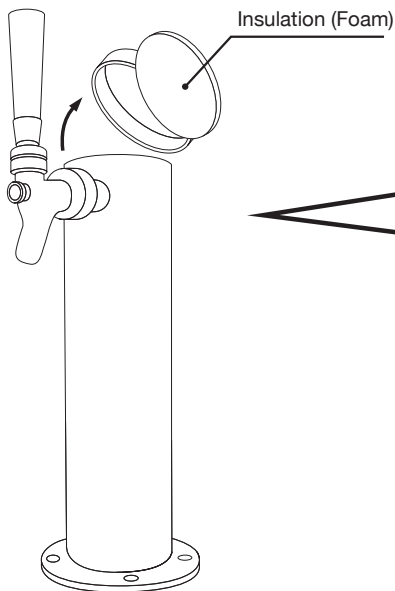


Draft Assembly Instructions (Continued)

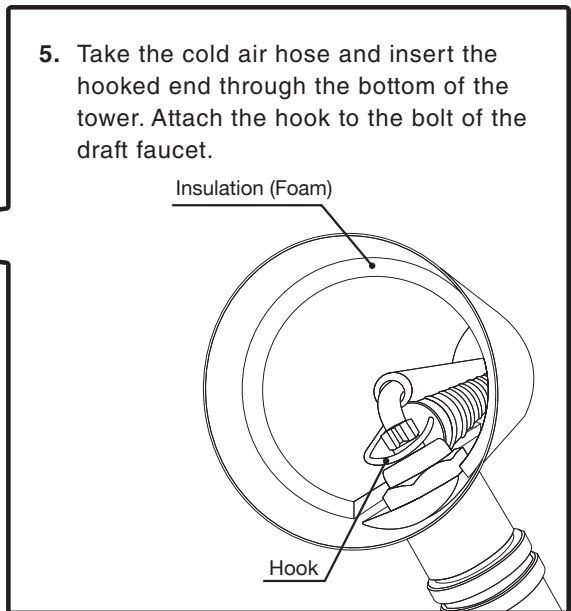
3. Take the cold air hose and insert the flat end into the air baffle located in the cabinet interior.



4. Remove the top cap and insulation pad from the draft tower.

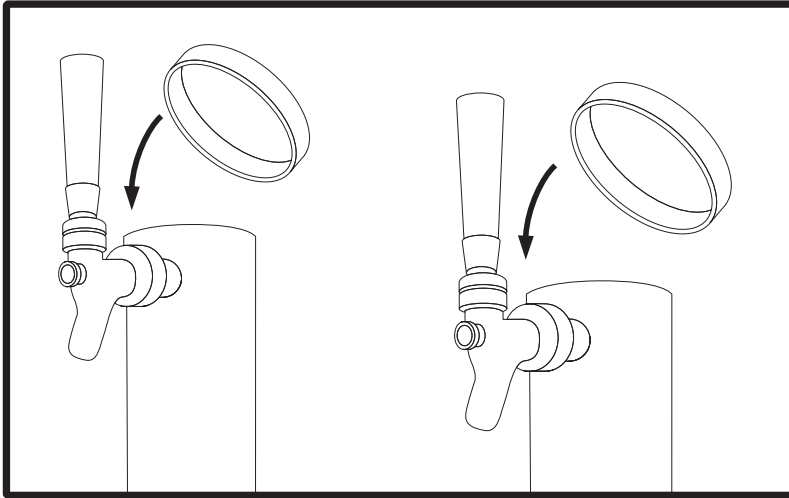


5. Take the cold air hose and insert the hooked end through the bottom of the tower. Attach the hook to the bolt of the draft faucet.

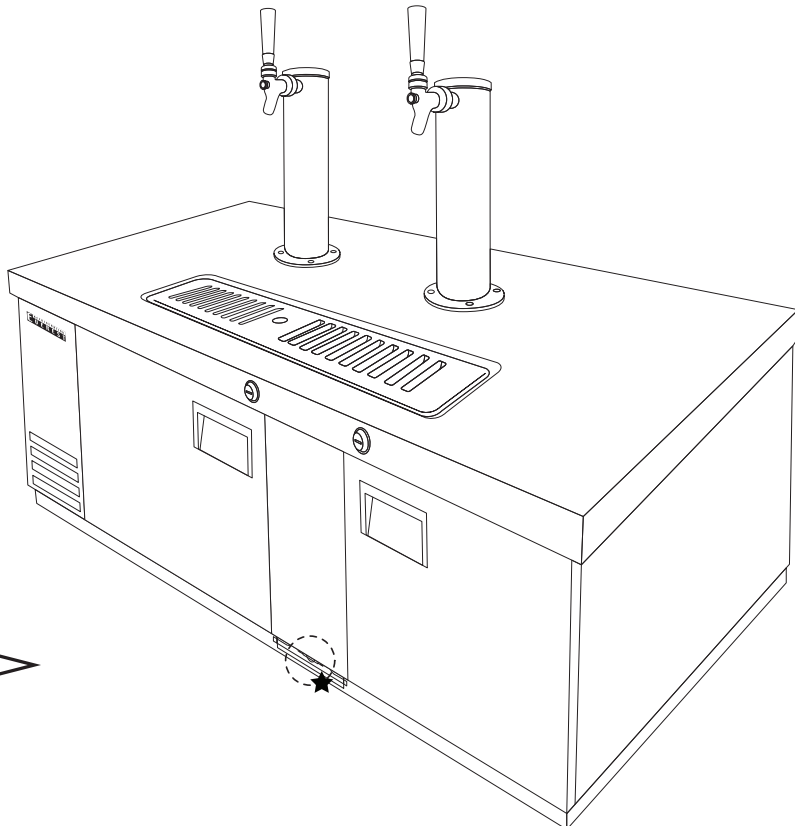


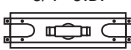
Draft Assembly Instructions (Continued)

- Secure the top cap and insulation pad back on the draft tower. Ensure that they are tightly sealed in place.



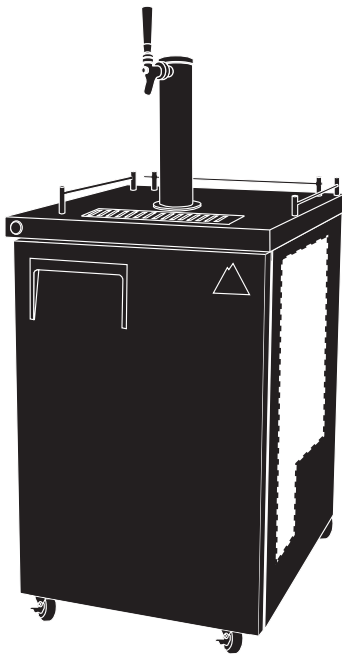
- Connect any exterior rubber or silicone drain hose that matches the $\frac{3}{4}$ " diameter drain fitting located at the front, bottom section of the unit. The Direct Draw Keg Refrigerator does not include an exterior drain hose.



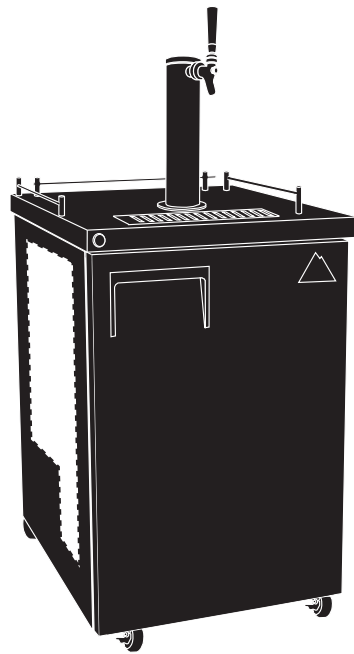
★ $\frac{3}{4}$ " O.D.

T-Shaped PVC
Drain Fittings w/
Moveable Plug

Safe Drilling Areas for CO2 Ports (EBD1 Models Type A)

The following diagram illustrates safe drilling areas for EBD1 models within the serial number range **BBD1-0801-XXXX to BBD1-1810-XXXX**. Everest recommends only a qualified technician or keg installation professional to perform this modification. **Warranty is void if these guidelines are not met.**



Right Side

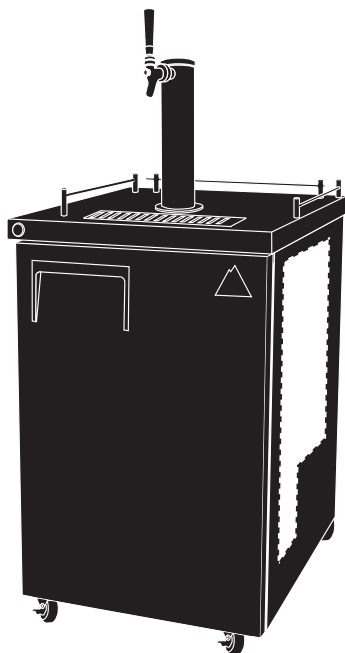


Left Side

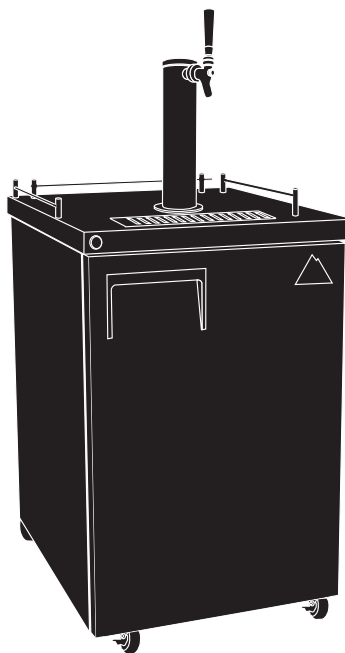


Drill holes for CO2 lines anywhere within the highlighted areas. Drilling outside of these areas will cause irreparable damage to the refrigeration components and /or wiring.

The following diagram illustrates safe drilling areas for EBD1 models within the serial number range **BBD1-1811-XXXX to present**. Everest recommends only a qualified technician or key installation professional to perform this modification. **Warranty is void if these guidelines are not met.**



Right Side



Left Side



Drill holes for CO2 lines anywhere within the highlighted areas. Drilling outside of these areas will cause irreparable damage to the refrigeration components and /or wiring.

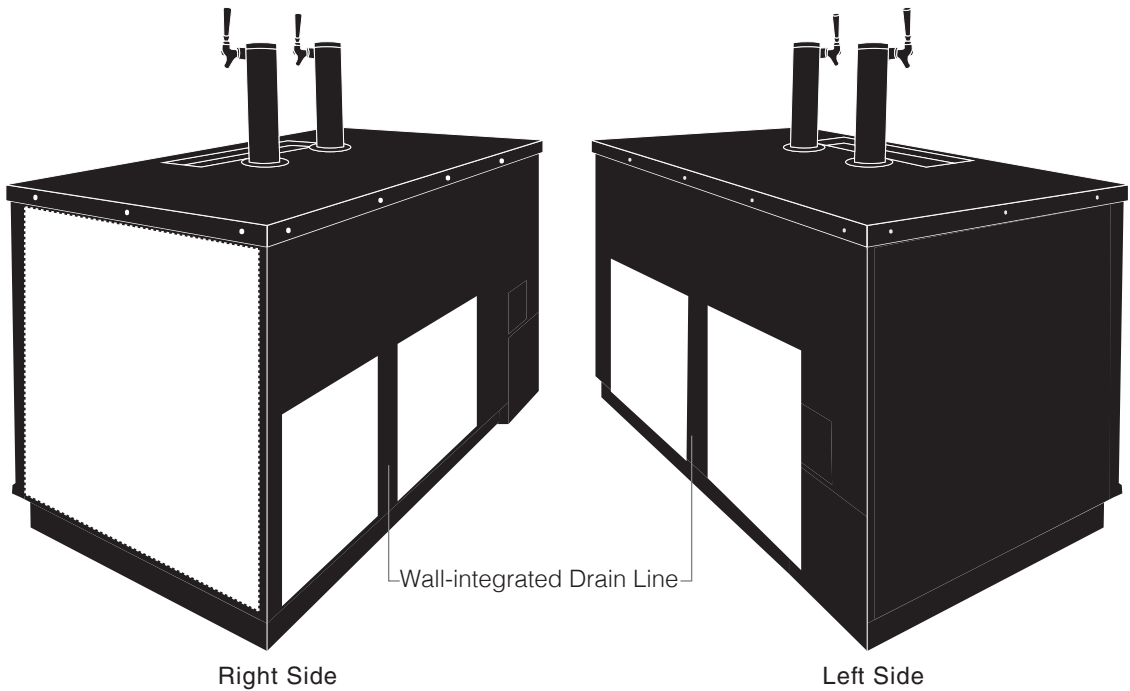
Safe Drilling Areas for CO2 Ports (Multi-Section Models Type A)

The following diagram illustrates safe drilling areas for multi-section models* within the serial number range **(model)-0801-XXXX to (model)-1209-XXXX**. Everest recommends only a qualified technician or keg installation professional to perform this modification.

Warranty is void if these guidelines are not met.

***Multi-Section Models:**

BBD2, BBD2-24, BBD2-BB-24,
BBD2-BBG, BBD2-BBG-24, BBD2-CT,
BBD3, BBD3-24, BBD3-BB, BBD3-BB-24,
BBD3-BBG, BBD3-BBG-24, BBD3-CT,
BBD4, BBD4-24, BBD4-CT, BBD52-24,
BBD52-BB-24, BBD52-BBG-24



Drill holes for CO2 lines anywhere within the highlighted areas. Drilling outside of these areas will cause irreparable damage to the refrigeration components and /or wiring.

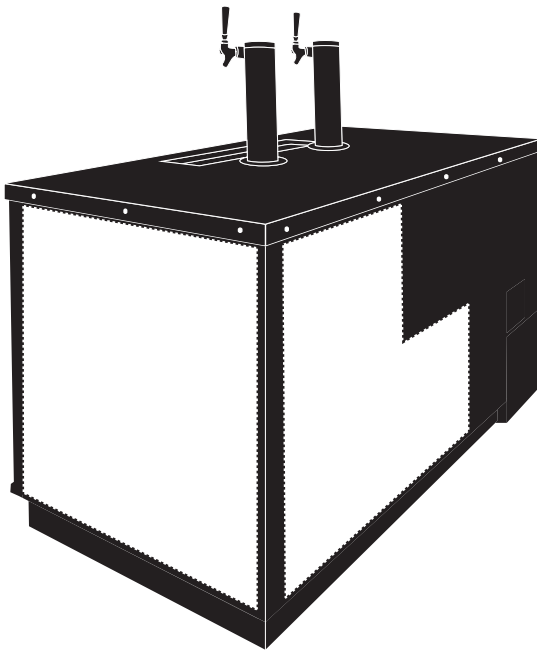
Safe Drilling Areas for CO2 Ports (Multi-Section Models Type B)

The following diagram illustrates safe drilling areas for multi-section models* within the serial number range **(model)-1210-XXXX to present**. Everest recommends only a qualified technician or keg installation professional to perform this modification.

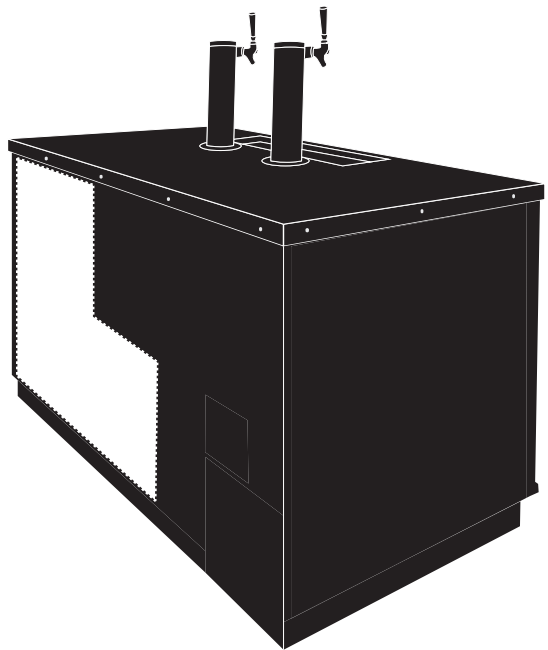
Warranty is void if these guidelines are not met.

***Multi-Section Models:**

BBD2, BBD2-24, BBD2-BB-24, BBD2-BBG, BBD2-BBG-24, BBD2-CT, BBD3, BBD3-24, BBD3-BB, BBD3-BB-24, BBD3-BBG, BBD3-BBG-24, BBD3-CT, BBD4, BBD4-24, BBD4-CT, BBD52-24, BBD52-BB-24, BBD52-BBG-24, BBD2-SS, BBD4-SS



Right Side



Left Side



Drill holes for CO2 lines anywhere within the highlighted areas. Drilling outside of these areas will cause irreparable damage to the refrigeration components and /or wiring.

Keg Installation

*NOTE: The CO2 distributor can be used to share the single CO2 tank between multiple kegs.

1) Choosing the CO2 tank location

A) Cabinet Exterior: For CO2 tanks placed outside of the unit, it is necessary to drill a hole for the CO2 port anywhere in the safe areas indicated in Safe Drilling Areas. Drilling outside of these areas will cause irreparable damage to the refrigeration components and/or wiring.

B) Cabinet Interior: For CO2 tanks placed inside the unit, it is not necessary to drill a hole for the CO2 port. This set up is possible depending on the model of the Direct Draw Keg Refrigerator and the size of the CO2 tanks and beer kegs.

2) Connecting the CO2 Line to the CO2 Regulator

A) Before proceeding, ensure that the shut off valve of the CO2 regulator is closed. The lever must be perpendicular to the CO2 line if it is in the closed position.

B) Take one end of the CO2 line and push it up the CO2 regulator's barb connector as tightly as possible. Secure the hose to the fitting with the use of a clamp. The clamp must be positioned well above the hose and fitting junction so as not to interfere with the valve operation.

C) If the CO2 tank is located outside the cabinet, feed the hose through the CO2 port that was drilled into the wall of the unit.

3) Connecting the CO2 Regulator to the CO2 Tank

A) Before proceeding, ensure that the CO2 tank is filled and in the closed position.

B) Connect the CO2 regulator nut to the CO2 tank.

4) Connecting the Keg Coupler

A) Before proceeding, it is critical that the keg pull handle is closed in the up position.

B) Install the keg coupler on the keg's neck junction. Turn clockwise to lock it in place.

5) Connecting the CO2 Line to the Keg Coupler

A) Take the open end of the CO2 line and push it up the keg coupler's barb connector as tightly as possible. Secure the hose to the fitting with the use of a clamp. The clamp must be positioned well above the hose and fitting junction so as not to interfere with the valve operation.

Keg Installation (Continued)

6) Connecting the Beer Line to the Keg Coupler

- A) Before proceeding, remove any protective film or wrap from the keg coupler.
- B) Attach the rubber washer to the beer line hex fitting.
- C) Connect the beer line from the tower to the screw fitting on top of the keg coupler.

7) Tapping the Keg

- A) Pull on the top handle of the keg coupler and push down until it locks in place.

8) Calibrating the CO2 Regulator

- A) Keep the shut-off valve of the CO2 regulator closed while you open the valve on the CO2 tank.
- B) Loosen the CO2 regulator adjustment nut with a pair of pliers. Twist the adjustment screw counterclockwise all the way.
- C) Slowly turn the CO2 regulator adjustment screw until the desired pressure is shown on the output pressure gauge. 12 PSI is the recommended pressure for most situations. Some conditions such as site altitude or beer variety will dictate specific pressure settings. Regulators designed for draft beer are turned clockwise to increase output pressure and counterclockwise to decrease output pressure.
- D) Open the shut-off valve on the CO2 regulator while keeping the main switch parallel to the tubing. The keg will audibly pressurize as gas flows through the regulator to the keg coupler. The output needle will momentarily drop as the pressure equalizes before returning to the original position it was set to.
- E) Pull on the ring of the keg coupler's pressure relief valve to allow gas to vent. This will help achieve a more accurate reading on the output pressure gauge.
- F) Recheck the output pressure on the regulator. If necessary, readjust following step 8C until the desired pressure is achieved. Finish any adjustment to the regulator with a brief pull on the pressure relieve valve to ensure an accurate reading on the output pressure gauge.

9) Placing the Keg

- A) Position the keg in the cabinet interior. Ensure that no hoses are pinched or crushed.

General Safety

This section applies to all Everest products. Use your appliance according to its designed function as specified in this Owner's Manual. Warranty is void if the following guidelines are not met.

- Before the unit is used, it must be installed and connected according to the installation instructions provided in this manual.
- Remove all packaging material and protective vinyl covering from the unit before it is used. These items are flammable and can lead to a fire.
- Do not store or use gasoline or other flammable vapors and liquids in the vicinity of the unit. Do not store combustible or explosive items and substances such as aerosol cans in or around the vicinity of the unit.
- Do not place objects on or around the exhaust vents of the unit. This can cause overheating which may lead to a fire or explosion. Objects may also fall when opening and closing doors which may lead to serious injury.
- Do not place any weight on top of the unit nor use it as a stand. This can damage the unit's structural integrity.
- If you suspect a refrigerant leak or a compromised refrigeration system, disconnect the unit, and contact Everest Refrigeration immediately.
- When disposing the unit, remove all doors and trays to avoid any risk of injury or entrapment. Ensure that the refrigerant in the condensing unit is properly disposed of by a qualified refrigeration technician according to governmental codes, requirements, and regulations.



Electrical Safety

This section applies to all Everest products. Basic safety precautions must be observed when using electrical appliances in addition to the following. Warranty is void if these guidelines are not met.

Everest units come as 115 volts, 60 hertz, single phase.

Everest units in this family are equipped with a NEMA 5-15P. A 15 amp breaker must be used for units that come with a NEMA 5-15P plug.



**115/60/1
NEMA 5-15R**

The ground prong must not be removed to reduce the risk of electric shock and related hazards. If the grounding pin is missing, the cord must be removed from use. If the outlet is a standard 2-prong outlet, it must be replaced with the properly grounded 3-prong wall outlet. Only a qualified electrician may install the correct power source.

To guarantee electrical safety, the wall outlet and circuit must be checked by a qualified electrician to make sure it is properly grounded.

Remove debris from the power plug prongs with a soft cloth or brush before connecting it to an outlet.

Assign the unit to a dedicated, undamaged electrical circuit with a voltage rating that matches the data plate. Check the incoming voltage with a multi-meter. This avoids the overloading and overheating of circuit wires which may lead to a fire.

Do not use extension cords, adapter plugs or other third party electrical connections. Everest is not responsible for issues resulting from improper electrical connections, electrical power failures and voltage fluctuations.

Everest does not recommend the use of generators in conjunction with the unit due to voltage fluctuations that may compromise electrical components.

Turn off the unit using the power button before unplugging. Wait at least 5 minutes before re-plugging to prevent damage to the compressor.



Do not unplug the unit by tugging on the power cord. Grip the plug and pull it securely out of the outlet.


Prevent damage to the power cord by providing sufficient clearance around and under the unit. Do not use a power cord that shows cracks or exposed wires. Power cords that have been severely worn or damaged must be replaced with original manufacturer parts and only by an authorized technician.

Operation

Use your Everest product according to its intended functions. Warranty is void if the following guidelines are not met.

Starting your Everest Product

After plugging in the unit, the current temperature and compressor symbol  will appear on the digital temperature control's LED display.  will flash at short intervals for 1 minute after which the compressor(s) and condenser fan motor(s) will initiate. At the beginning of every compressor cycle, the condenser fan motor is automated to rotate in reverse for 30 seconds in order to blow dust off the condenser coil.

The evaporator fan motor(s) will initiate once the evaporator coil reaches a specific temperature relative to the digital temperature control setting and for as long as the door is closed. A fan symbol  will appear on the LED display to indicate that the evaporator fan is running.

Allow the unit to operate for 24 to 72 hours before storing contents in the cabinet. This lets the cabinet temperature fully stabilize. Use this time to verify proper installation and operation.

The interior light and evaporator fan motor is controlled by a door switch for solid door models and a rocker switch for glass door models.

The default temperature setting is 35.0°F (2.0°C) for refrigerators and -4.0°F (-20.0°C) for freezers. The factory recommended temperature range is between 33.0°F (1.0°C) to 40.0°F (4.0°C) for refrigerators and -5.0°F (-21.0°C) to 0°F (-18.0°C) for freezers. Setting the temperature outside of the recommended range will cause performance issues and in some cases may result in component failure that is outside of warranty coverage.

The compressor, condenser and evaporator fan motors run while the unit is on refrigeration cycle.

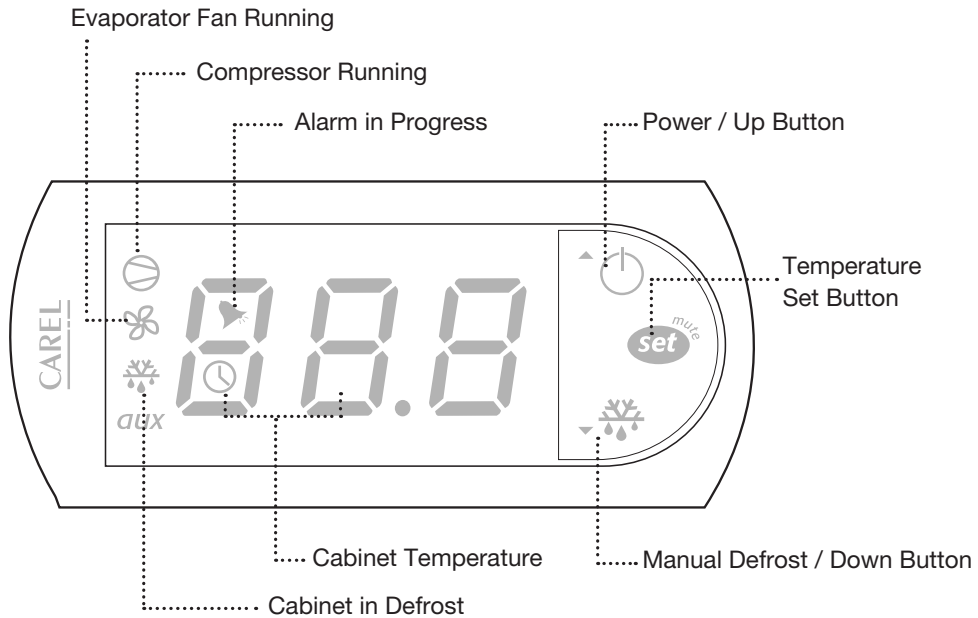
The compressor, condenser and evaporator fan motors stop running while the unit is on defrost cycle.

The unit is preset to defrost every 5-6 hours with a duration of 45 minutes or less depending on the evaporator coil temperature. Changing the preset outside of the default range will result in cooling issues and advanced component failure.

The digital temperature control is intended to read and display the cabinet's air temperature, not actual food product temperature. The displayed temperature may fluctuate due to frequent or prolonged door operation. The most conclusive method to determine a unit's cooling performance is to measure the food product's temperature using a digital food thermometer.

Carel 'Easy' Digital Temperature Control

Everest units are equipped with a Carel Digital Temperature Control. The type of controller is dependent on the model and production date.



Setting the Temperature




1. Press and hold Temperature Set Button **set** for 2 seconds until the LED blinks SET **88.8** alternating with a number. The blinking number is the current set temperature.

CAUTION: If PS appears on the LED





This means the Temperature Set button **set** was held down longer than 3 seconds. To exit this mode and restart, press Temperature Set Button **set**

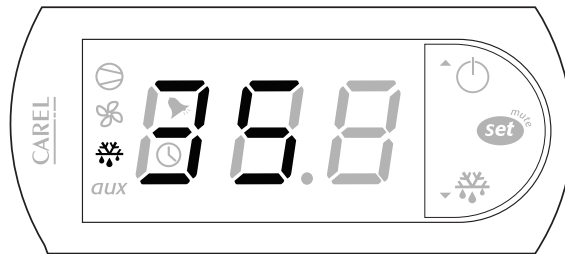
Setting the Temperature (continued)

2. Toggle through the desired temperature by pressing UP  or DOWN . The number increases or decreases by a decimal point.
3. The recommended setting is 35.0°F (2.0°C) for refrigerators and -4.0°F (-20.0°C) for freezers. The available temperature setting range is 33.0°F to 54.0°F (1.0°C to 12.0°C) for Refrigerators and -10.0°F to 54.0°F (-23.0°C to 12.0°C) for Freezers.
4. Press and hold the Temperature Set Button  for 3 seconds to save the new temperature and exit the setting mode. The LED will return to the current cabinet temperature.

Initiating Manual Defrost

The controller has an automatic defrost cycle in place so initiating manual defrost is not necessary unless there is an abnormal accumulation of ice around the evaporator coil.

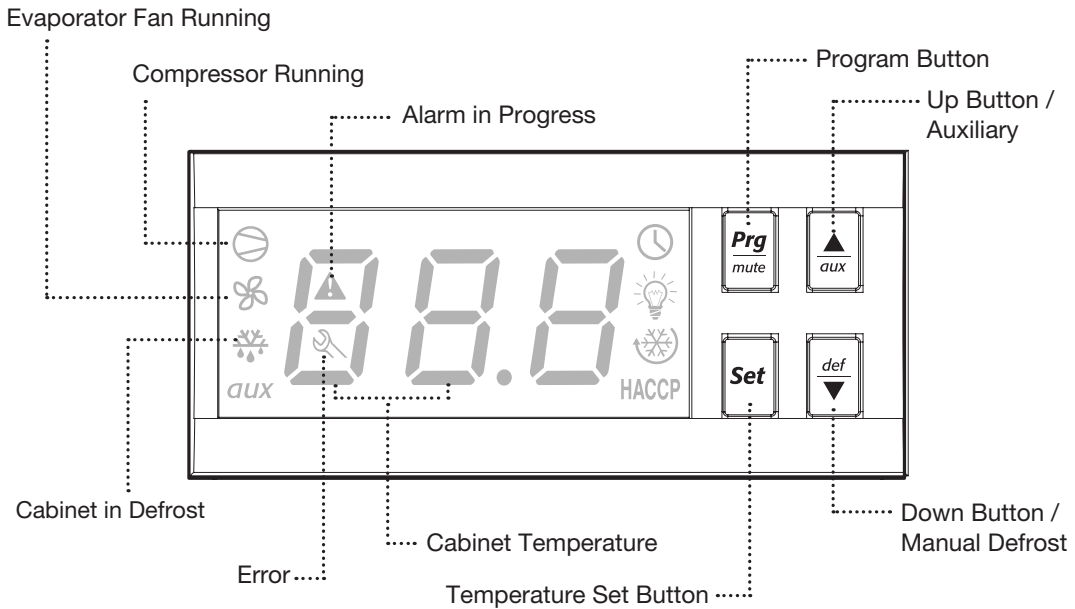
1. Press and hold down the Manual Defrost Button  until the Defrost Symbol  appears on the LED display.



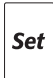



The compressor, condenser and evaporator fan motors will stop running.
The refrigeration system will remain in defrost cycle for 45 minutes or until the evaporator coil reaches the safety termination temperature setting.

Carel 'ir33' Digital Temperature Control

Everest units are equipped with a Carel Digital Temperature Control. The type of controller is dependent on the model and production date.





Setting the Temperature

1. Press and hold Temperature Set Button  for 2 seconds until a number blinks on the LED. The blinking number is the current set temperature.
2. Toggle through the desired temperature by pressing UP  or DOWN . The number increases or decreases by a decimal point.
3. The recommended setting is 35.0°F (2.0°C) for refrigerators and -4.0°F (-20.0°C) for freezers. The available temperature setting range is 33.0°F to 54.0°F (1.0°C to 12.0°C) for Refrigerators and -10.0°F to 54.0°F (-23.0°C to 12.0°C) for Freezers.
4. Press and hold the Temperature Set Button  for 3 seconds to save the new temperature and exit the setting mode. The LED will return to the current cabinet temperature.

Initiating Manual Defrost

The controller has an automatic defrost cycle in place so initiating manual defrost is not necessary unless there is an abnormal accumulation of ice around the evaporator coil.

1. Press and hold down the Manual Defrost Button  until the Defrost Symbol  appears on the LED display.



The compressor, condenser and evaporator fan motors will stop running. The refrigeration system will remain in defrost cycle for 45 minutes or until the evaporator coil reaches the safety termination temperature setting.

Care and Maintenance

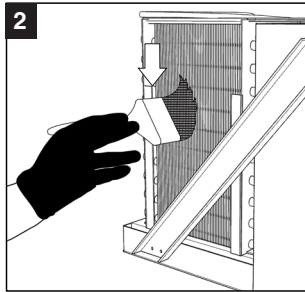
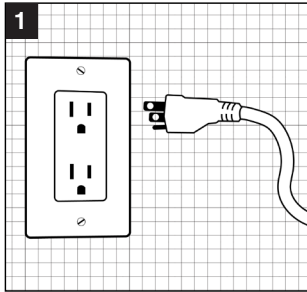
This section applies to all Everest products. Regular care and maintenance of your appliance will significantly extend service life and dependability. In severe cases, lack of upkeep will contribute to the rapid decline in performance and component health. Care and maintenance is the product owner's personal responsibility. Warranty is void if these guidelines are not met.

- Unplug the unit before cleaning, repairing or replacing parts.
- Do not spray the exterior of unit with water to avoid electric shock, component malfunction or the risk of fire.
- Do not use any flammable cleaning products on or around the unit to prevent the risk of fire.
- Do not use household or industrial chemical cleaners, acidic or chlorine based solutions, degreasers, wire brushes, scrapers, steel pads, acidic solutions or other abrasive products.
- The unit is equipped with a washable condenser coil filter. The filter builds up lint, dust and grease overtime and will require monthly cleaning. A clogged condenser coil filter will result in decreased performance, advanced component failure and a risk of fire. See page (23) for condenser coil filter cleaning instructions.
- Conduct regular inspection of the sliding door tracks to ensure that the sliding doors are closing properly. Clean any debris that could potentially cause blockage in the tracks.
- Clean the interior of the unit with mild soap and warm water. Remove the interior drain hole plug to allow water to drain out. Ensure that the exterior drain hoses are connected to the rear of the unit. Wipe interior until dry.
- Clean the exterior of the product with mild soap and water. Do not use steel wool, strong acids, concentrated detergents, bleaches, cleaning waxes, polishers and other abrasive cleaners. Do not allow moisture to come in contact with electronic parts to avoid any risk of fire.
- Acidic products and products containing vinegar must be stored in sealed containers to prevent acid damage to the interior of the unit and the evaporator coil. Rust resulting from improper maintenance is not covered under warranty.



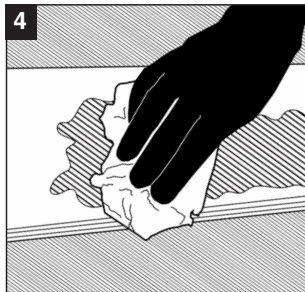
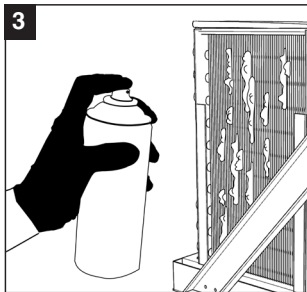
Condenser Coil Air Filter Cleaning Instructions

It is necessary to clean the condenser coil monthly to ensure that it is free of lint, dust and grease build-up. **Warranty is void if the following guidelines are not met.**



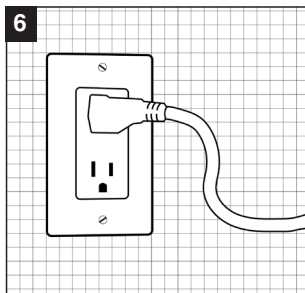
1. Ensure that the unit is disconnect from the outlet before performing maintenance.

2. Use a long bristled brush in a vertical sweeping motion to remove lint, dust and debris from in between the metal fins of the condenser coil. Do not apply heavy pressure so as not to bend the fins.



3. Use a commercial condenser coil cleaner for metal fins that are coated in grease. Allow the cleaner to saturate the area. Follow the recommended wait time printed on the product packaging.

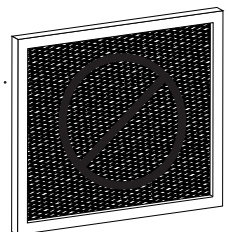
4. The grease and cleaning solvent will pool at the base of the metal fins. Brush the fins and wipe off any accumulated residue.



5. Repeat the above steps until the metal fins are clean. You should be able to see in through and in between the metal fins.

6. Reconnect the unit to the designated outlet.

Do not attach an aftermarket filter or screen around the condenser coil. This constricts ventilation which leads to overheating, component failure or the risk of fire.



Troubleshooting Guide

In most cases, your Everest product may be exhibiting behavior that is typical of standard operation. Observe the following when troubleshooting symptoms.

'Cht' or 'cHt' appears on the LED alternating with the current temperature and accompanied by an audible alarm.

The condenser coil may be clogged with dust, grime or debris. Clean it following the instructions in Care and Maintenance.

The room's ambient temperature may be higher than 86°F (30°C). Provide ample ventilation or additional cooling to the room or relocate the unit to a larger space with lower ambient temperature.

The unit may be installed in close proximity to heat sources such as ovens, stoves, heaters or direct sunlight. Relocate the unit away from these sources.

The unit may be installed without clearance or proper ventilation. Provide additional exhaust vents and observe the clearance allowance specified in Installation Instructions.

The compressor, fan motors or entire system fails to start

The ON/OFF switch may be set to OFF. Turn to the ON position and wait for the LED and motors to show signs of operation.

The power cord may not be connected. Check for proper connection. In cases of damage to the power cord or plug, immediately mark the unit as out of order until the damaged part is replaced.

The outlet may not be sending power or the power supply breaker may be switched off. Unplug the unit and contact a licensed electrician for inspection and/or repairs.

The compressor operates continuously or for prolonged periods.

The condenser coil may be clogged with dust,

grime or debris. Clean it following the instructions in Installation Instructions.

The door, drawer or gasket may not be sealing properly. Check product placement in the cabinet as it may prevent the door and drawers from fully closing. If the gasket is loose, reattach.

The evaporator coil may be blocked with ice. Defrost it following the instructions in Care and Maintenance. Normally, evaporator coils will self-maintain with automated defrost cycles. If the evaporator coil ices up frequently, re-assess placement of food items in the cabinet as it could obstruct cold air circulation. Food items must not touch the wall or floors of the cabinet and stay within the boundaries of the shelf to prevent blockage of air flow.

The room's ambient temperature may be higher than 86°F (30°C). Provide ample ventilation or additional cooling to the room or relocate the unit to a larger space with lower ambient temperature.

The unit may be installed in close proximity to heat sources such as ovens, stoves, heaters or direct sunlight. Relocate the unit away from these sources.

The unit may be installed without clearance or proper ventilation. This forces the compressor to operate constantly in order to maintain cabinet temperature. Provide additional exhaust vents and observe the clearance allowance specified in Installation Instructions.

The draft and keg assemblies may not be installed properly causing an entry point for refrigerated air to exit and ambient air to enter. Check the draft tower for proper mounting and the CO2 ports for an airtight seal.

The cabinet temperature is too warm.

The condenser coil may be clogged with dust, grime or debris. Clean it following the instructions

in Care and Maintenance. The door or door gasket may not be sealing properly. Check product placement in the cabinet as it may prevent the door from fully closing. If the gasket is loose, reattach.

The temperature may be set too high. Adjust the setting to 35.0°F (2.0°C) for refrigerators or -4.0°F (-20.0°C) for freezers.

Hot food items may have been placed in the cabinet. Store only room temperature food items.

The room's ambient temperature may be higher than 86°F (30°C). Provide ample ventilation or additional cooling to the room. Relocate the unit from extremely small spaces without ventilation.

The unit may be installed in close proximity to heat sources such as ovens, stoves, heaters or direct sunlight. Relocate the unit away from these sources.

The unit may be installed without clearance or proper ventilation. Provide additional exhaust vents and observe the clearance allowance specified in Installation Instructions.

The draft and keg assemblies may not be installed properly causing an entry point for refrigerated air to exit and ambient air to enter. Check the draft tower for proper mounting and the CO2 ports for an airtight seal.

Condensation in the interior cabinet.

The door / drawer or gaskets may not be sealing properly. If the gasket is loose, reattach. Check product placement in the cabinet as it may prevent the door from fully closing.

Hot food items may have been stored in the cabinet. The interaction between hot and cold temperatures will promote condensation.

Unsealed or open food items with high moisture content may have been stored in the cabinet. Keep these items in air tight containers. Mild condensation in warmer ambient temperature conditions may occur due to frequent or prolonged door operation.

The draft and keg assemblies may not be installed properly causing an entry point for refrigerated air to exit and ambient air to enter. Check the draft tower for proper mounting and the CO2 ports for an airtight seal.

Condensation on the unit's exterior surfaces.

Highly humid environments will contribute to the condensation build up on exterior panels. Providing ample ventilation and air movement to a space will reduce the humidity level.

The door, drawer or gasket may not be sealing properly. Check product placement in the cabinet as it may prevent the door from fully closing. If the gasket is loose, reattach.

Noise level during unit operation.

It is normal for commercial grade compressors and components to have a higher decibel output compared to residential counterparts.

The unit may not be balanced evenly. Poorly leveled units may cause components or fittings to misalign or disengage during operation. This may produce noise as a direct result of repeated surface friction or impact.

The unit may not be securely mounted to the floor. This may produce noise as a direct result of repeated surface friction or impact.

Some sounds are normal for the refrigeration process. A dripping sound, for example, is the result of refrigerant circulation during the compressor rest period.

Draft tower is not dispensing properly.

The beer keg or CO2 tank may be empty or defective. Contact your keg supplier for assistance.

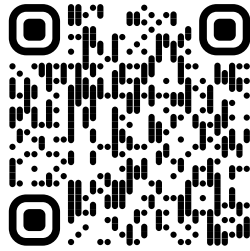
The draft tower or keg assembly may not be installed properly. Check for proper mounting of screw-in components. Ensure that all hose and clamp connections are secure. Follow installation guidelines in Draft Assembly.

The tank pressure may not be calibrated properly. Follow pressure adjustment guidelines in Keg Installation.

Warranty Registration

Registering your new appliance is important. In the unlikely event a safety notification or warranty service is required, we will have the means to contact you. Your completed appliance registration also verifies your ownership in the event of an insurance loss or theft.


You may register online at www.EVERESTref.com or use your smart phone to scan the QR code below:



1. Open the camera app.
2. Point the camera at the QR code.
3. Scan and launch the QR code.

Product Identification:

The product data plate is a permanently affixed label that contains the model, serial, barcode numbers, and refrigeration data of your Everest product. The tag is located on the rear or side of the unit exterior. Please retain this information for warranty-related purposes.



EVEREST REFRIGERATION

Commercial Refrigerators

MODEL : ESC47L Assembled in Korea

COMPRESSOR : 1/8 HP

REFRIGERANT : R290

* Use of other than specified refrigerant voids warranty

REFRIGERANT CHARGE : 3.17 Oz

ELECTRICAL : 115VX1Phx60Hz


TOTAL AMPS : 3.27A (COMP RUN)

HIGH PRESSURE TEST : 218PSIG.


LOW PRESSURE TEST : 38PSIG.

* Do not clean label with solvent


Serial No:
BTR1XXXXXXXXX



BB1KD0539A



ETL LISTED
CONFORMS TO
ANSI/UL-471 CERTIFIED TO
CAN/CSA C22.2 NO. 120



9900932

Warranty Certificate

EVEREST warrants to the first purchaser of every new EVEREST equipment, the cabinet and all parts thereof, to be free from defects in material or workmanship, under normal and proper use and maintenance service as specified by EVEREST and upon proper installation and start-up in accordance with the instruction packet supplied with each equipment.

(3) Years Labor & Parts Warranty¹ and (5) Years Compressor Warranty³

Applicable to R-134A, R-404A and R290 Upright Reach-Ins, Glass Door Merchandisers, Undercounters, Chefbases, Prep. Tables, Bar Equipment and Countertop Refrigerated Display Cases shipped from Everest before January 1, 2023.

(2) Years Labor & Parts Warranty¹ and (5) Years Compressor Warranty³

Applicable to R290 Open Air Merchandisers shipped from Everest before January 1, 2023.

(3) Years Labor & Parts Warranty¹, (5) Years Electrical Components Warranty² and (10) Years Compressor Warranty³

Applicable to R290 Upright Reach-Ins, Glass Door Merchandiser Refrigerators, Undercounters, Chefbases, Prep. Tables, Bar Equipment and Countertop Refrigerated Display Cases shipped from Everest from January 1, 2023.

(3) Years Labor & Parts Warranty¹, (5) Years Electrical Components Warranty² and (5) Years Compressor Warranty³

Applicable to R290 Glass Door Merchandiser Freezers shipped from Everest from January 1, 2023.

(2) Years Labor & Parts Warranty¹, (5) Years Electrical Components Warranty² and (5) Years Compressor Warranty³

Applicable to R290 Open Air Merchandisers and Laboratory Refrigerators/Freezers shipped from Everest from January 1, 2023.

¹Labor & Parts Warranty

EVEREST's obligation under the Labor & Parts Warranty is limited to a period of (2) or (3) years from the date of shipment from EVEREST. Any part covered under this warranty that is determined by EVEREST to have been defective within (2) or (3) years from the date of shipment from EVEREST, is limited to the repair or replacement, including labor charges, of defective parts or assemblies. Labor warranty shall include standard straight time labor charges and reasonable travel time, as determined by EVEREST.

²Electrical Components Warranty

EVEREST's obligation under the Electrical Components Warranty is limited to a period of (5) years from the date of shipment from EVEREST. Any electrical component covered under this warranty that is determined by EVEREST to have been defective within (5) years from the date of shipment from EVEREST, is limited to the replacement of the electrical component. Electrical components covered under this warranty are limited to control boards, sensors, defrost heaters, evaporator/condenser fan motors, LED lights & power supplies, and door switches. This warranty does not cover the cost of shipping, labor or other parts.

³Compressor Warranty

EVEREST's obligation under the Compressor Warranty is limited to a period of (5) or (10) years from the date of shipment from EVEREST. Any compressor or compressor components covered under this warranty that is determined by EVEREST to have been defective within (5) or (10) years from the date of shipment from EVEREST, is limited to the replacement of the compressor or compressor components. This warranty does not cover the cost of shipping, labor or other parts.

Warranty Claims

All warranty claims must be made directly through EVEREST. All claims shall include the equipment model and serial number, proof of purchase, installation date, and all other relevant information. To qualify for an electrical component or compressor warranty claim, the replacement item must have been purchased directly from EVEREST.

Warranty Exclusions

EVEREST's sole obligation under this warranty is limited to the repair or replacement of parts, subject to the additional limitations below. This warranty neither assumes nor authorizes any person to assume obligations other than those expressly covered by this warranty.

Non-Warranty Parts: EVEREST excludes specific parts exposed to normal wear and tear. These parts include, but are not limited to, lamps, gaskets, casters, shelving, pans and airflow guards.

Indirect or Consequential Damage: EVEREST does not warrant economic loss, profit loss, or special, indirect or consequential damages including, without limitation, losses or damages arising from food or product spoilage claims caused by refrigeration failure.

Improper Usage: EVEREST does not warrant component failure and/or other damages resulting from improper usage and/or installation or failure to clean and/or maintain the equipment as set forth in the equipment's user manual. All EVEREST equipment are designed for use in a commercial setting. Warranty is invalid if the equipment is installed in a residence.

Relocation of Equipment for Repairs: EVEREST does not warrant the cost to move an equipment to or from its installed location, disassemble cabinetry or panels built around the equipment for the purpose of performing warranty repair.

Warranty is Non-Transferrable: Warranty is limited to the original purchaser or owner of the equipment. Warranty does not transfer with change of ownership.

Alteration, Neglect, Misuse, Abuse, Accident, Damage During Transit or Installation, Fire, Flood, Acts of God: EVEREST is not responsible for malfunctions due to alteration, neglect, misuse, abuse, accident, damage during transit or installation, fire, flood, storm, and/or other acts of God.

Unauthorized Modification: EVEREST is not responsible for the repair or replacement of failed or damaged components resulting from unauthorized modifications to equipment or the use of non-OEM parts.

Improper Electrical Connections: EVEREST is not responsible for any improper electrical connections resulting from electrical power failure, low or fluctuating voltage, incorrect amperage and the use of extension cords, generators or batteries.

Outside the U.S.: Warranty coverage does not apply to equipment sold or used outside of the United States.

These warranties are exclusive and in lieu of all other warranties, expressed or implied, and all other obligations or liabilities on our part, and we neither assume nor authorize any other person to assume for us any other obligation or liability in connection with the sale of said refrigeration equipment or any part thereof.



THIS PAGE INTENTIONALLY LEFT BLANK

THIS PAGE INTENTIONALLY LEFT BLANK



E REFRIGERATION
EVEREST

A Step Above The Standard

201 W. Artesia Blvd., Compton, CA 90220

Tel: 800-444-6285 / 310-323-6586

Fax: 310-323-7524 / 310-761-1127

www.EVERESTref.com